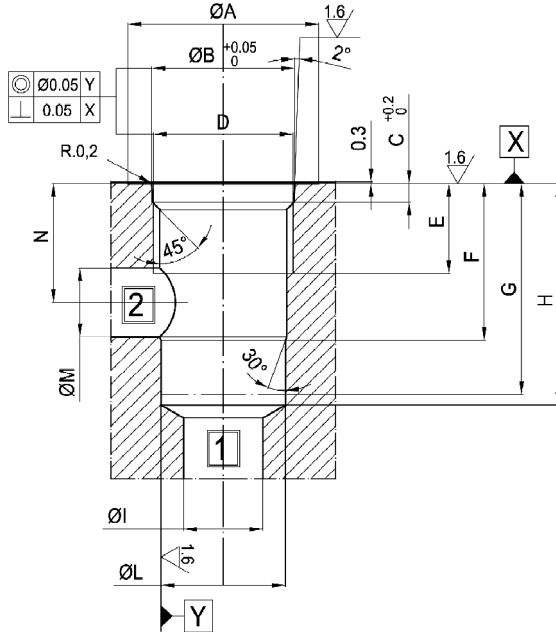




**CAVITA' BSPP
BSPP CAVITY**

Rev.03-2019/07

211 2 VIE - 2 WAY**



CAVITA' CAVITY	G 3/4"	G 1"
CODICE CODE	21261	21331
A	36	40
B	27	34.3
C	3.5	3
D	3/4"BSPP	1"BSPP
E	17	20
F	30.5	41
G	40	50
H	42	53
I	15	22
L	23.5 H8	30 H8
M	13	22
N	22.5	28

31211 FPS CR 1/2

