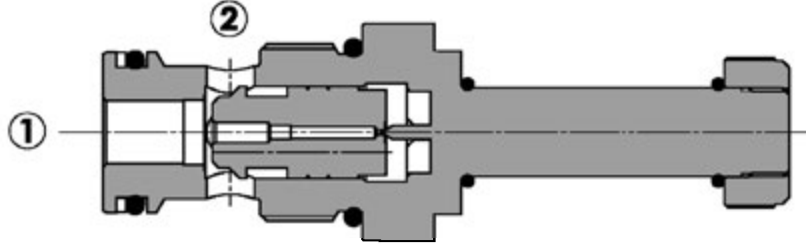
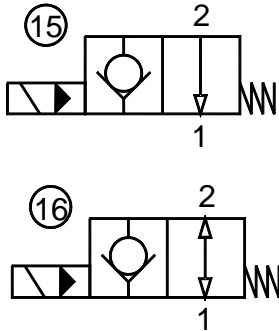




**2位, 先导控制电磁阀, 常开, bsp螺纹**

**2 way, pilot operated electric valve, normally open, bsp thread**

Rev.02-2016/03



**技术规格**

材料:插件为镀锌钢, 内部为淬火钢。

流量范围:

3/4":2 - 70L/min; 1":4 - 150 L / min

最大压力:350bar

安装扭矩:见第2页

空腔:见X章节

插件重量:见第2页

线圈:版本C-13, 见Y章节

油温:-20 C + 80 C

环境温度范围:-30° C + 60° C

推荐过滤:公称最大过滤10 μ, ISO 4406 - 19/17/14 (NAS8)或更少。

供电电压波动不得超过公称电压的±10%。

**TECHNICAL SPECIFICATIONS**

**Materials:** cartridge in steel zinc plated, internal parts in hardened steel.

**Flow range:**

3/4: 2-70 L/min; 1: 4-150 L/min

**Max. pressure:** 350 bar

**Installation torque:** see page 2

**Cavity:** see section X

**Cartridge weight:** see page 2

**Coils:** version C-13, see section Y

**Oil temperature:** -20°C + 80°C

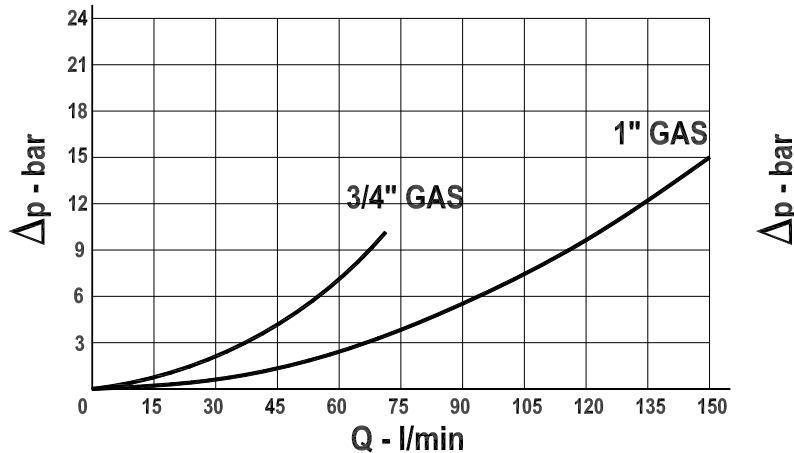
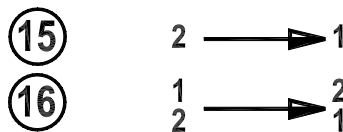
**Ambient temperature range:** -30°C + 60°C

**Recommended filtration:** nominal max. 10μ, ISO 4406-19/17/14 (NAS8) or less.

Inlet voltage fluctuations must not exceed ±10% of nominal voltage.

压降曲线

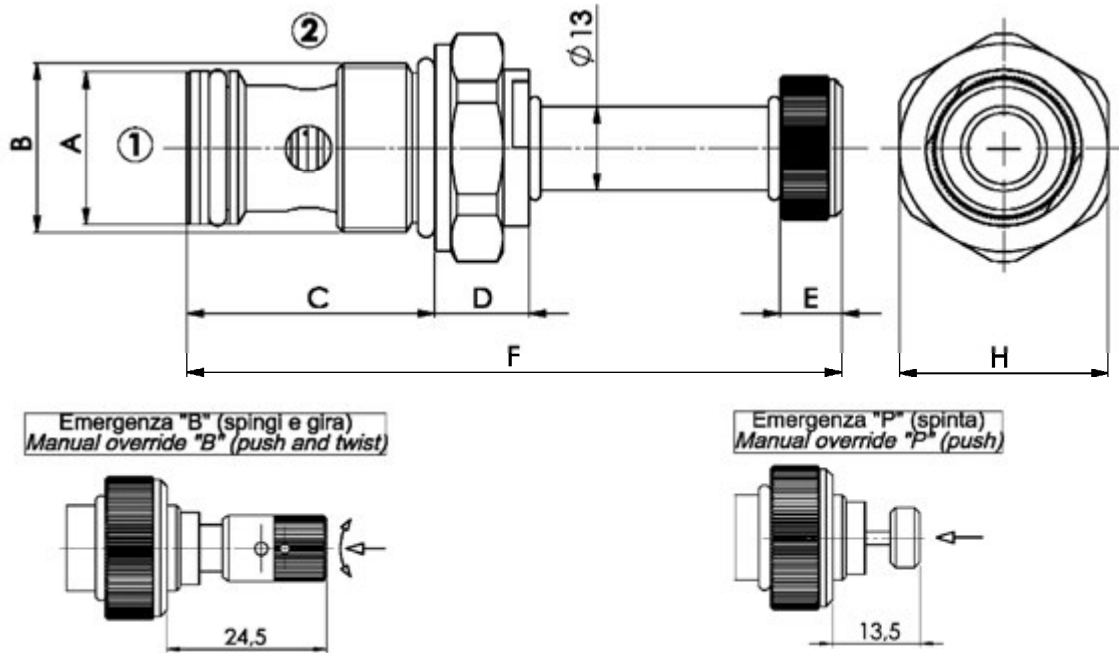
**PRESSURE DROP CURVES**





**2位, 先导控制电磁阀, 常开, bsp螺纹**  
**2 way, pilot operated electric valve, normally open, bsp thread**

Rev.02-2016/03



型号 TYPE	A mm	B BSPP	C mm	D mm	E mm	F mm	H mm	插孔 CAVITY	安装扭矩 INSTALLATION TORQUE Nm	重量 WEIGHT Kg
FP-22-CP-3/4"-15/16	23.5	3/4"	38	14.5	9.5	100.5	32	21261	45 – 55	0.230
FP-22-CP-3/4"-15/16-P	23.5	3/4"	38	14.5	9.5	102.5	32	21261	45 – 55	0.240
FP-22-CP-3/4"-15/16-B	23.5	3/4"	38	14.5	9.5	102.5	32	21261	45 – 55	0.250
FP-22-CP-1"-15/16	30	1"	49	14.5	9.5	111.5	38	21331	60 – 70	0.340
FP-22-CP-1"-15/16-P	30	1"	49	14.5	9.5	113.5	38	21331	60 – 70	0.350
FP-22-CP-1"-15/16-B	30	1"	49	14.5	9.5	113.5	38	21331	60 – 70	0.360

**订购代码示例 - ORDERING CODE EXAMPLE**

**FP 22 CP 3 / 4 1 5 \* \***

\* 3/4 . 3/4+BSPP  
 \* 1 . 1+BSPP  
 尺寸 - Dimension

\* 15 . 常闭 . normally closed,  
 \* 16 . 常闭双向 . normally closed, bidirectional  
 液压机能 . Hydraulic scheme

密封材质 . Seals:  
 V=Viton \*  
 如果是丁晴可省略 . Omit if BUNA-N  
 手动应急 . Manual override  
 P = 推式 - push \*  
 B = 推扭式 . push and twist  
 如不需要省略 . Omit if not required