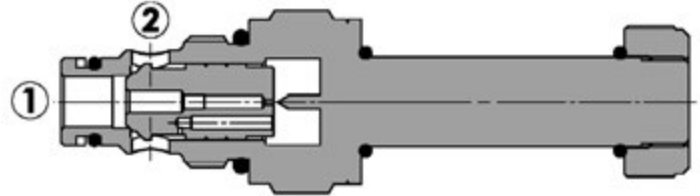
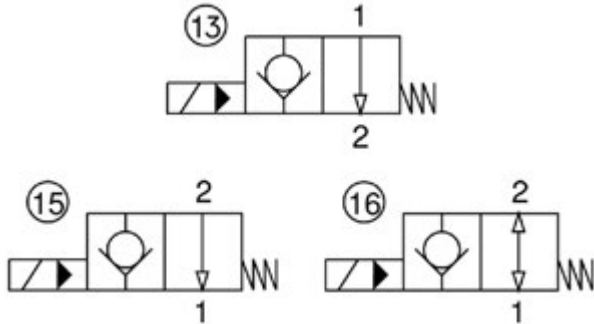


**2 way, pilot operated electric valve, normally open**

Rev.03-2016/08

**技术规格**

材料:插件为镀锌钢, 内部为淬火钢。

流量范围:

S08: 0.5 - 50升/分钟; S10: 2 - 70升/分钟; S12: 4 - 140升/分钟; S16:

4 - 150 L / min

最大压力: 350 bar

安装扭矩: 见第2页

空腔: 见X章节

墨盒重量: 见第2页

线圈: 版本C-13, 见Y章节

油温: -20°C + 80°C

环境温度范围: -30°C + 60°C

推荐过滤: 公称最大过滤10 μ, ISO 4406 - 19/17/14 (NAS8) 或更

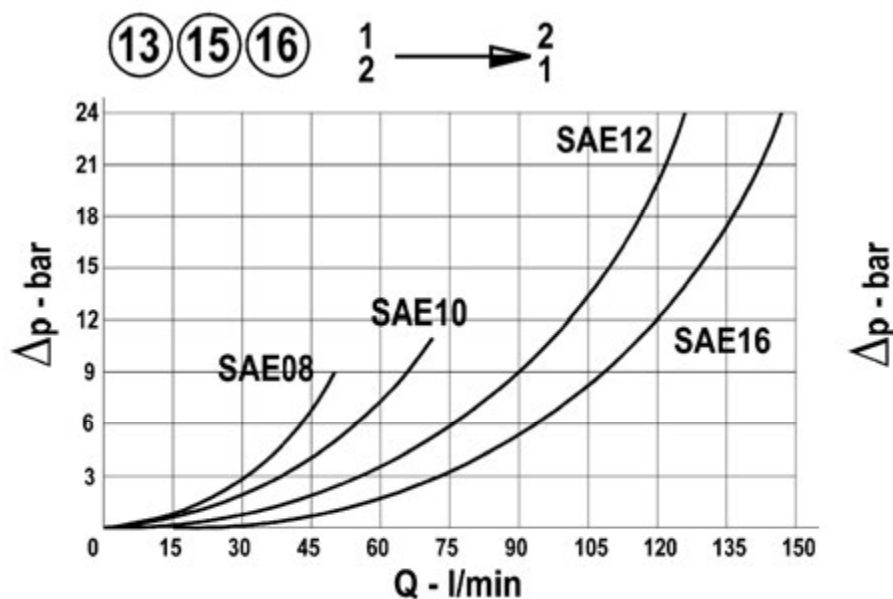
少。进口电压波动不得超过公称电压的±10%。

TECHNICAL SPECIFICATIONS**Materials:** cartridge in steel zinc plated, internal parts in hardened steel.**Flow range:**

S08: 0.5-50 L/min; S10: 2-70 L/min; S12: 4-140 L/min; S16: 4-150 L/min

Max. pressure: 350 bar**Installation torque:** see page 2**Cavity:** see section X**Cartridge weight:** see page 2**Coils:** version C-13, see section Y**Oil temperature:** -20°C + 80°C**Ambient temperature range:** -30°C + 60°C**Recommended filtration:** nominal max. 10μ, ISO 4406-19/17/14 (NAS8) or less.

Inlet voltage fluctuations must not exceed ±10% of nominal voltage.

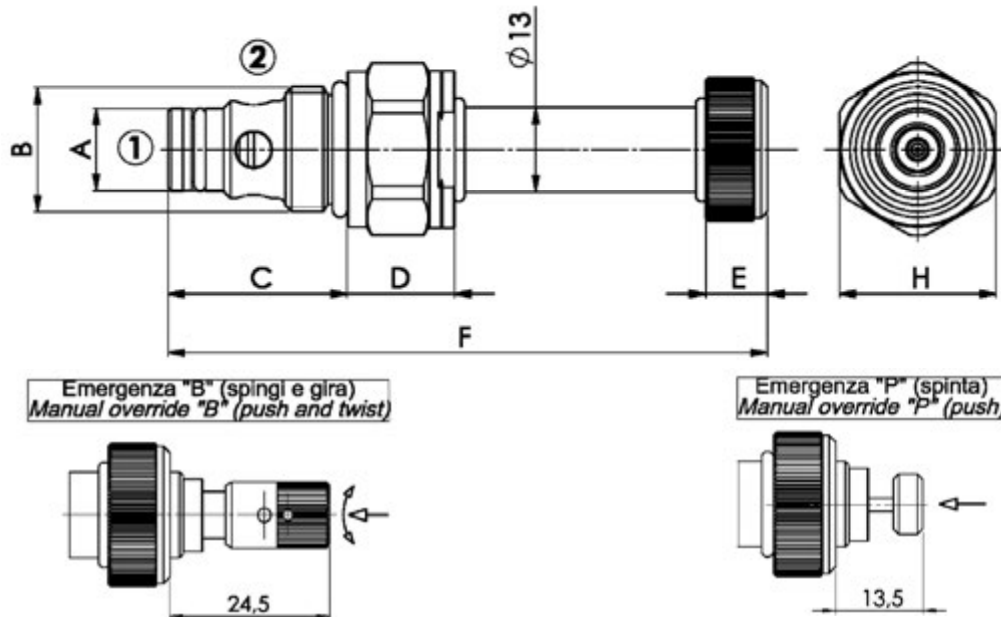
压降曲线**PRESSURE DROP CURVES**



2位, 先导控制电磁阀, 常开

2 way, pilot operated electric valve, normally open

Rev.03-2016/08



型号 TYPE	A	B	C	D	E	F	H	插孔 CAVITY	安装扭矩 INSTALLATION TORQUE	重量 WEIGHT
	mm	SAE	mm	mm	mm	mm	mm			
FP-22-CP-S08-13/15/16	12.7	3/4"-16 UNF-2A	27.5	16.5	9.5	92	24	23081	35 – 45	0.135
FP-22-CP-S08-13/15/16-P	12.7	3/4"-16 UNF-2A	27.5	16.5	9.5	94	24	23081	35 – 45	0.145
FP-22-CP-S08-13/15/16-B	12.7	3/4"-16 UNF-2A	27.5	16.5	9.5	94	24	23081	35 – 45	0.155
FP-22-CP-S10-13/15/16	15.87	7/8"-14 UNF-2A	32	17	9.5	97	27	23101	45 – 55	0.170
FP-22-CP-S10-13/15/16-P	15.87	7/8"-14 UNF-2A	32	17	9.5	99	27	23101	45 – 55	0.180
FP-22-CP-S10-13/15/16-B	15.87	7/8"-14 UNF-2A	32	17	9.5	99	27	23101	45 – 55	0.190
FP-22-CP-S12-13/15/16	22.22	1 1/16"-12 UN-2A	46	18	9.5	112	32	23121	55 – 65	0.270
FP-22-CP-S12-13/15/16-P	22.22	1 1/16"-12 UN-2A	46	18	9.5	114	32	23121	55 – 65	0.280
FP-22-CP-S12-13/15/16-B	22.22	1 1/16"-12 UN-2A	46	18	9.5	114	32	23121	55 – 65	0.290
FP-22-CP-S16-13/15/16	28.56	1 5/16"-12 UN-2A	46.5	16.5	9.5	109	40	23161	80 – 90	0.370
FP-22-CP-S16-13/15/16-P	28.56	1 5/16"-12 UN-2A	46.5	16.5	9.5	111	40	23161	80 – 90	0.380
FP-22-CP-S16-13/15/16-B	28.56	1 5/16"-12 UN-2A	46.5	16.5	9.5	111	40	23161	80 – 90	0.390

对于2位的SAE插孔阀体, 见技术样本页码 W 150/1

For 2 way SAE cavity bodies, see page W 150/1 in technical catalogue

订购代码示例 - ORDERING CODE EXAMPLE

FP 22 CP S08 13 * *

- S08 . 3/4"-16 UNF
- * S10 . 7/8"-14 UNF
- S12 . 1 1/16"-12 UN
- S16 . 1 5/16"-12 UN

尺寸 - Dimension

- 13 . 常开单向 . normally open, unidirectional
- * 15 . 常开单向 . normally open, unidirectional
- 16 . 常开双向 . normally open, bidirectional

液压机能 . Hydraulic scheme

密封材质 . Seals:
V=Viton *

如果是丁晴可省略 . Omit if BUNA-N

手动应急 . Manual override
P = 推式 - push *

B = 推扭式 . push and twist
如不需要省略 . Omit if not required